



SP328 Manual

CONTENT

General information.....	1
Product description.....	2
System description	3
Installation.....	4
Packing list.....	5

General information

1 About this manual

This manual book describes the installation, functions and operation rules of our pump station series for solar water heating control system. When install with other applications on this system, such as solar collector, and storage, please follow the instruction of correlative suppliers. The installation, electrical connection, adjustment and maintenance should be carried out by a qualified specialist.

2 Safety rules

- The product can't be installed in the room where easily inflammable and explosive mixtures (e.g. gas or oil) are present or may occur.
- The product can't be installed in the location which exceeds its allowable environment condition.
- The operation should be carried out by a qualified specialist.
- Before connecting the electrical wire, make sure that the power supply matches the required parameter.

3 Liability waivers

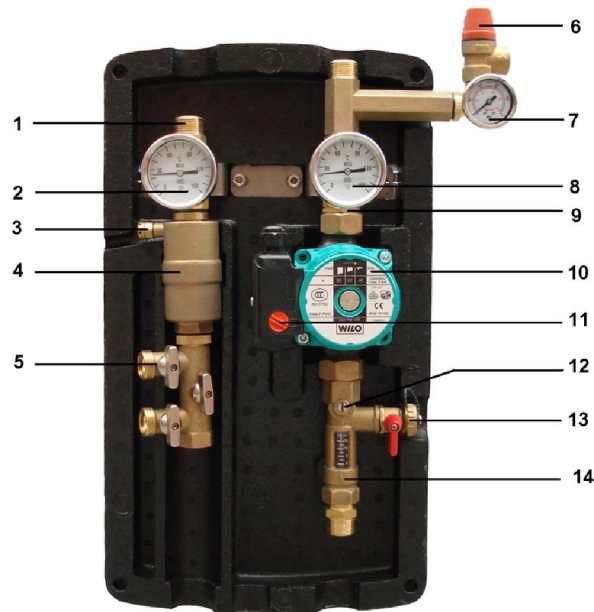
- Improper installation or operation can cause damages to material and persons. The manufacturer cannot monitor the compliance with these instructions or the circumstances and methods used for installation, operation, utilization and maintenance of this device. Damage by mishandling or improper installation on customer site is immediately leading to warranty exclusion.
- As faults can never be excluded, we don't offer a guarantee for the completeness of the drawings and texts of this manual, they only represent some examples. They can only be used on own risk. No liability is assumed for incorrect, incomplete or false information and the resulting damages.
- The manufacturer preserves the right to put changes to product, technical data or installation and operation instructions without prior notice.

4 Equip the controller

- The product is suggested to equip the controllers, such as SPI, SPII, SPIII series.

Product description

1 Components



NO.	Component	Function description
1	Non-return valve	Avoid the medium flow back
2	Thermometer	Display the current temperature of flow pipe
3	Auto air-exhausted valve	Exhaust the air in the pipeline
4	Air-medium separate valve	Separate the air from the medium in the pipeline
5	Filling and venting valve	Fill or vent the medium
6	Safety valve	Keep the system pressure in a safe state
7	Pressure gauge	Display the current system pressure
8	Thermometer	Display the current temperature of return pipe
9	Non-return valve	Avoid the medium flow back
10	WILLO pump	WILLO Star RS 15/6 or 25/6 (110V or 220V) Control the temperature difference circulation
11	Pump speed adjust switch	Adjust the pump speed with three levels
12	Flow balancing valve	Adjust to balance the flow rate
13	Expansion vessel connector	Connect the expansion vessel
14	Flow meter	Display the current flow state; adjust the flow rate

2 Main technical data

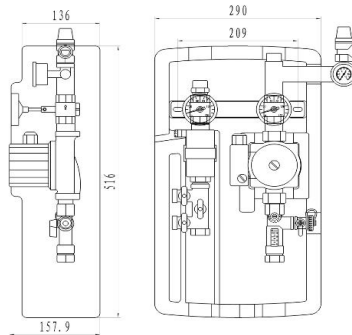
- u Dimension: 520×290×170mm
- u System design pressure: 1 MPa
- u Safety valve respond pressure: 0.6 MPa
- u WILO pump model: SR25/6, SR15/6 (For choice)
- u Screw coupling: 3/4"
- u Material: Brass
- u Thermal insulation material: EPP
- u Range of environment temperature: -10 ~ 50
- u Water protection grade: P40

System description



Installation

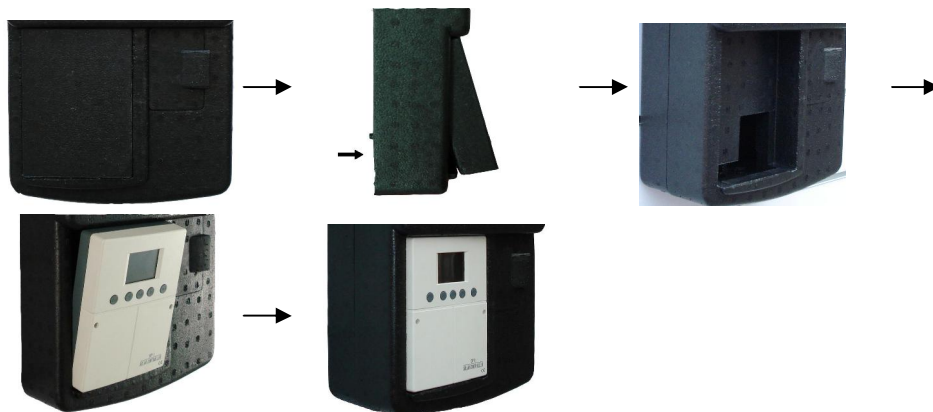
1. Open the package carton and take out the work station carefully.
2. Determine the mounting position of the work station, considering the mounting place for expansion vessel.
3. Drill the holes for dowels, put the dowels into the holes, fixed the work station on the wall using fastening screws. See picture



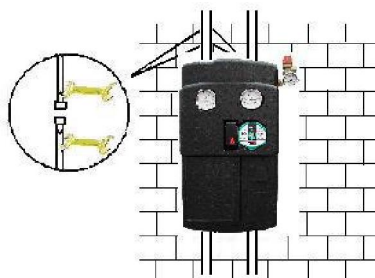
Note: The station must be vertically installed. The following are the fault locations.



4. The installation of controller is as following steps.



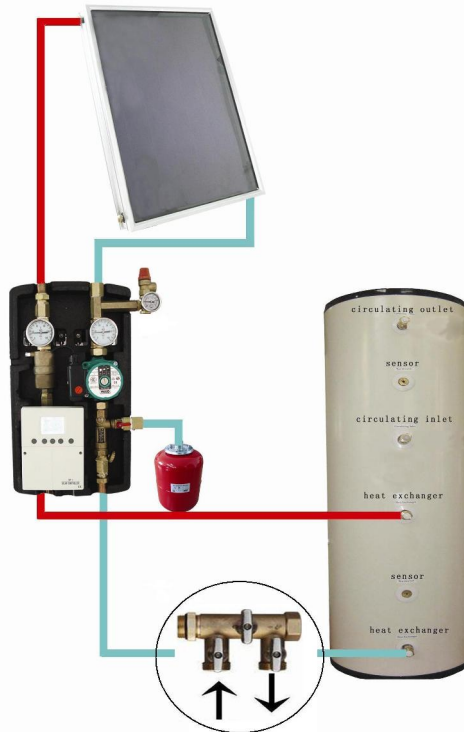
5. Use two wrenches to connect the pipes. See picture.



6. Install a filling and venting valve to fill and vent medium, and to wash the pipeline. It should be installed in the lowest part of the whole system. See the picture.

Note: When filling the medium, close the valve on the middle, and open the rest two valves at the same time. Fill the medium from the left valve. When there is medium venting from the right side, it means the medium has been filled up.

Then if you want to reach a certain pressure for the system, close the right valve. When the pressure has reached the desired valve on the pressure gauge, close the left valve, and open the middle valve at the same time. The whole process is finished.



Packing list

No.	Item	Specification	Quantity
1	Main part	520x 290x 170mm	1 pc
2	Fixed screw		1 bag
3	Manual		1 pc